

SAKAI®

ER552F ER552F-s



Road Planer

A 28 ton, fast mobilization speed milling machine. It makes milling jobs profitable, especially jobs on city roads with manholes, curbs, etc. and frequent short distance hauls.

Cost and time savings

- Fast mobilization speed of 27 km / h (17mph) saves time and cost by eliminating the use of a trailer for hauls less than 20 km (13 miles).
- A single operator controls the entire machine.

Efficient operation

- Drum width of 2,050 mm (81 in) and maximum cutting depth of 230 mm (9 in).
- Unique drum side-shift system with 450 mm (18 in) on both sides provides ;
 - 1) Accurate milling position.
 - 2) Milling operations tight to adjacent structures such as curbs and walls.
 - 3) Easy clear of manholes, utility poles, etc., on city streets.
- Minimum side clearance of 105 mm (4 in) and the maximum curb clearance of 400 mm (16 in) on both sides of the drum enable quick and accurate flash cutting along curbs.
- Smooth milled surface results from a long wheel base design and four rear wheels mounted on a bogey suspension similar to a motor grader system.

High safety standard

- Emergency brake switch is located in four different places around the machine.

Easy maintenance

- Easy access to the cutting teeth by opening the rear cover of the drum hood.

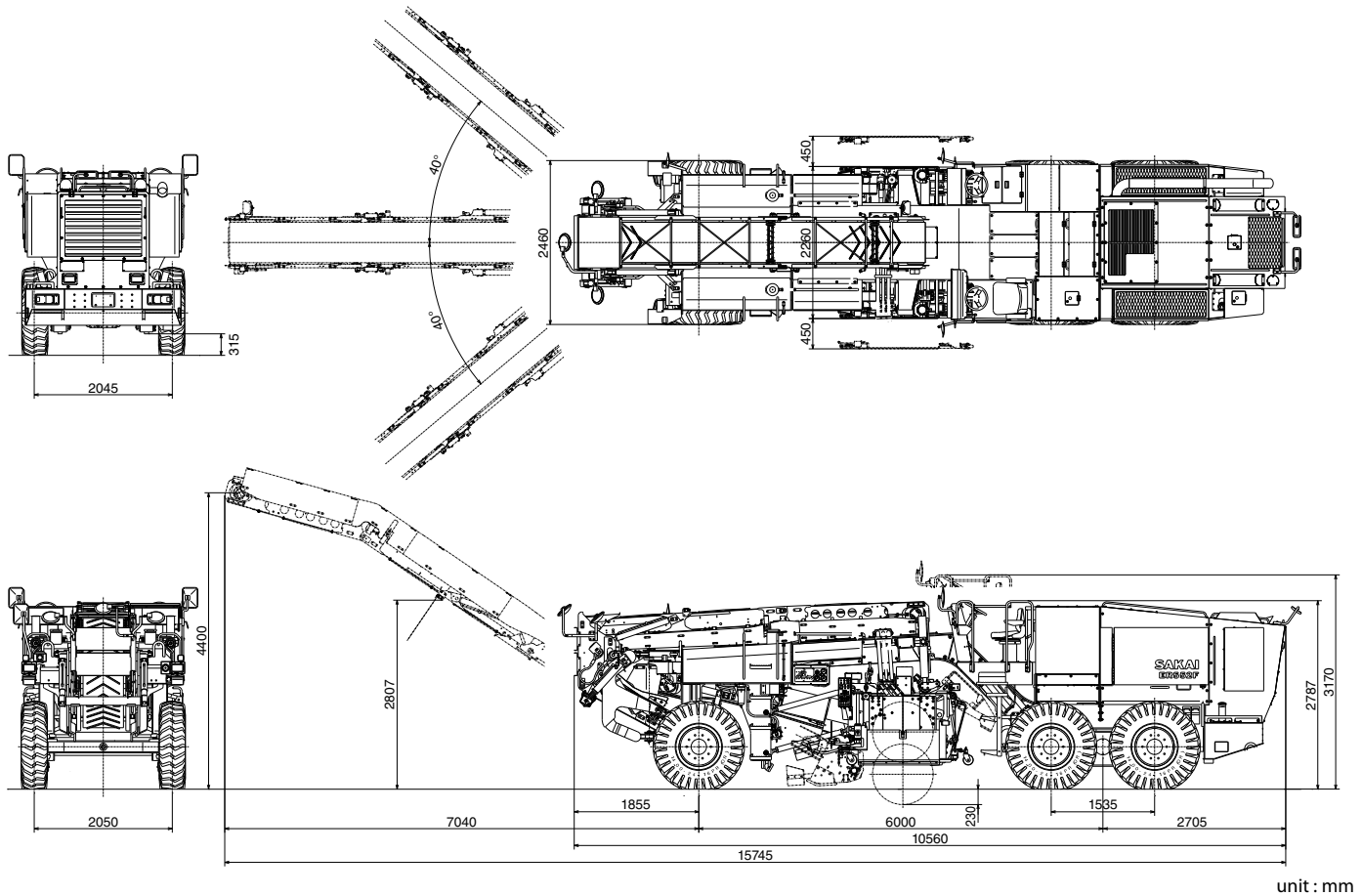
Engine

- Tier 3 (ER552F, 418kW / 568HP) and non-Tier 3 (ER552F-s, 365kW / 496HP) engines are available.



www.sakainet.co.jp/english/

ER552F ER552F-s



unit : mm

TYPE		Road Planer			
MODEL		ER552F	ER552F-s		
CHASSIS MODEL		MER10	1ER11		
WEIGHTS	Operating weight	kg (lb)	28,200 (62,170)		
	Load on front axle [operating weight]	kg (lb)	10,790 (23,790)		
	Load on rear axle [operating weight]	kg (lb)	17,410 (38,380)		
PERFORMANCE	Speed range (travel)	km / h (mph)	0 - 27 (0 - 16.8)		
	Speed range (operating)	m / min (ft / min)	0 - 55 (0 - 180)		
	Gradability	% (°)	42 (23)		
	Min. turn radius (outer)	m (in)	11.5 (453)		
DIMENSIONS	Overall length	mm (in)	10,560 (416)		
	Overall width	mm (in)	2,460 (97)		
	Overall height [operate / shipping]	mm (in)	3,170 / 2,787 (125 / 110)		
	Wheelbase	mm (in)	6,000 (236)		
	Tire size × Number of tires		14.00 - 24 - 16PR × 6		
	Inflation	kPa (psi)	600 (87.0)		
	CUTTER SYSTEM	Cutting width	mm (in)	2,050 (81)	
	Cutting depth [max.]	mm (in)	230 (9.1)		
	Shift stroke	mm (in)	450 (17.7)		
CUTTER SYSTEM	Number of bit	pcs.	156		
	Curb clearance	mm (in)	400 (15.7)		
	Side clearance	mm (in)	105 (4.1)		
	Water sprinkler system		pressure type		
LOADING SYSTEM	Belt width	mm (in)	600 (23.6)		
	Loading height	mm (in)	4,400 (173)		
	Swing angle	°	40		
ENGINE	Make		KOMATSU		
	Model		SAA6D140E-5		
			(EPA-Tier3) -		
	Type		Diesel, water cooled, 4 cycle, 6 cylinder, with turbo charger		
FLUID CAPACITY	Displacement	L (cu.in)	15.239 (929.9)		
	Rated output	kW (HP) / min ⁻¹	418 (561) / 2,000 370 (496) / 1,800		
	Fuel tank	L (gal)	700 (185)		
	Hydraulic tank	L (gal)	255 (67)		
	Sprinkler tank	L (gal)	2,000 (528)		

- Operating Weight : 100% Fuel, 100% Water, No Operator.
- Specifications are subject change without notice.
- All units are SI units. Inside of () is for reference units.
- Above specified numbers will be deviated within ±5%.

※ Using low quality fuel may cause engine failure.

Standard Equipment :

- Instrument ● Gauges ● Back up alarm ● Horn ● Head light
- Working light ● Turn signal lamp ● Mirrors

Optional Equipment :

ISO 9001
SAKAI HEAVY INDUSTRIES, LTD. obtain the certification of
quality management system ISO9001.



SAKAI HEAVY INDUSTRIES, LTD.

HEAD OFFICE: 1-4-8, SHIBA DAIMON, MINATO-KU, TOKYO JAPAN
TELEPHONE: +81-3-3431-9971
FACSIMILE: +81-3-3436-6212